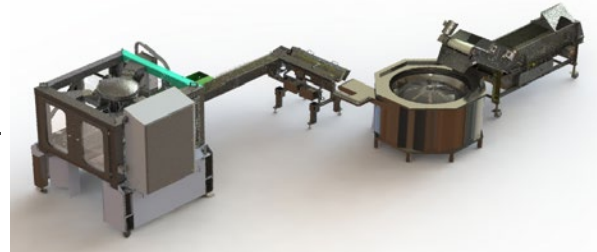
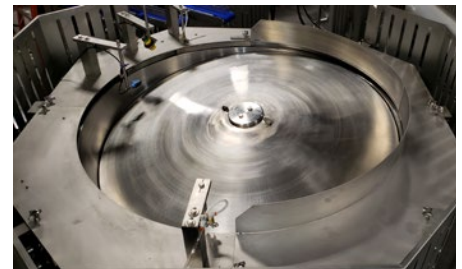


## Centrifugal Autoloader

Load frankfurters, sausages, and alternative meat products quickly and easily. Centrifugal feeder design enables quick and efficient cleaning. Simple to maintain components. Proven launcher style design.



- Up to 1,200 pieces per minute
- Single or dual-lane output
- 98%+ fill-rate
- Available with a robot or mechanical loading head
- Lower Cost
- Easier to clean and maintain
- Reduce Human Contact
- Touch screen Allen Bradley<sup>®</sup> controls-  
single PLC for Robot and conveyor systems
- Available with one or two centrifugal feeders
- Conforms to AMI sanitary equipment design principles



# CENTRIFUGAL STYLE AUTOLOADER

## MODELS CF-600-R & CF-1200

Drake's new centrifugal autoloaders feature an easy to operate centrifugal feeder system to place various food products into multiple horizontal packaging configurations. The centrifugal feeder is lower to the floor, making it more convenient to clean and maintain.

Allen Bradley® Controls- The entire unit is operated by a single Allen Bradley® PLC to provide steady, reliable operating for years to come.

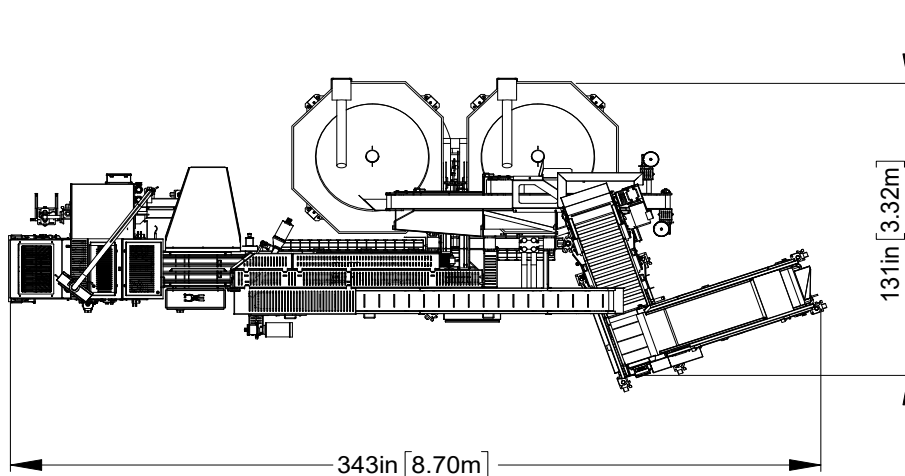
The CF-600-R robotic loading head features high-speed end of arm tooling capable of carrying a 3kg payload. The CF-1200 features our dependable traditional mechanical loading head.

The unit offers many of the hygienic design benefits of Drake's launcher style loaders. With hygiene and safety in mind, all areas with moving parts of the CF-600-R & CF-1200 are completely guarded.

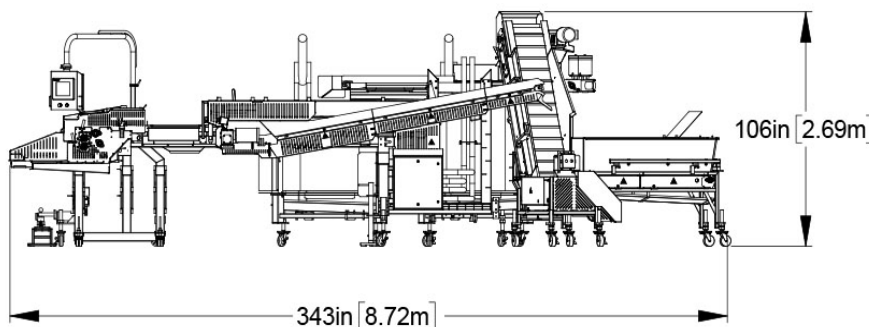
The CF-600-R loads up to 600 pieces per minute and the CF-1200 loads up to 1200 pieces per minute. Both loaders can handle a variety of products up to 200 mm (8 inches) in length that are cooked or chilled.

All Drake autoloaders feature touch screen controls, allowing for easy addition of new recipes and rapid adjustment to various areas of the loader.

All Drake loaders are proudly made in the USA.



CF Product/Speed Specifications	
Length	120-200mm
Diameter	14-44mm
Curvature	10mm
PPM	275



Drake Model CF Loader Utility Specifications	
Voltage	Compressed Air
230, 380, or 460 VAC 50 or 60 Hz	100 LPM (5 CFM)