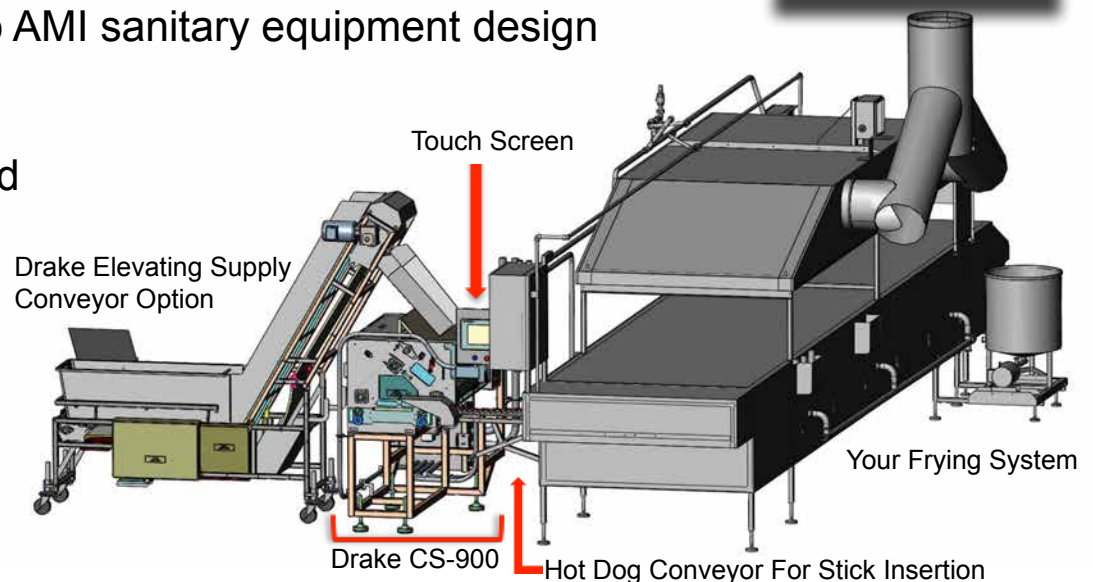


## Corn Dog Loader

Integrates into a corn dog batter/fryer line. Drake's CS-900 aligns up to 26 hot dogs per index, resulting in the processing of 16,000 pieces per hour.

- Complete batter/fryer system integration
- Aligns product into single lane to the fryer conveyor
- Diameter range: 16mm to 32mm
- 98%+ fill rate
- Touch screen controls
- Conforms to AMI sanitary equipment design principles
- CE approved



Guarding may be removed in some images for demonstration purposes.

# DRAKE COLLATOR STYLE AUTOLOADER

## MODEL CS-900 CORN DOG LOADER

The Drake Model CS-900 open channel autoloader integrates into a corn dog batter/frying line.

The unit automatically feeds cooked and peeled sausages onto an indexing flighted conveyor belt. At this point, product is presented to the auto-skewer section of the corn dog fryer.

The CS-900 handles skinless, cooked and chilled frankfurters from 16mm to 32mm in diameter.

This loader aligns product on the fryer conveyor at up to 26 hot dogs per index. This results in the processing of 16,000 pieces per hour, meeting the fryer's speed and product supply requirements.

An optional elevating supply conveyor (ESC)

is available to feed product to the CS-900. The ESC increases ease of operation, loader effectiveness, and ultimately the value of your investment.

The CS-900 is exceptionally durable. Using a stainless steel structure, Drake loaders are built to perform year after year under harsh conditions.

Industry standards for sanitation are surpassed due to construction techniques and easy cleaning procedures.

All Drake autoloaders feature touch screen controls, allowing for rapid adjustment to various areas of the loader.

All Drake loaders are proudly made in the USA.

