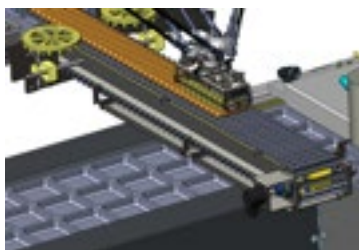
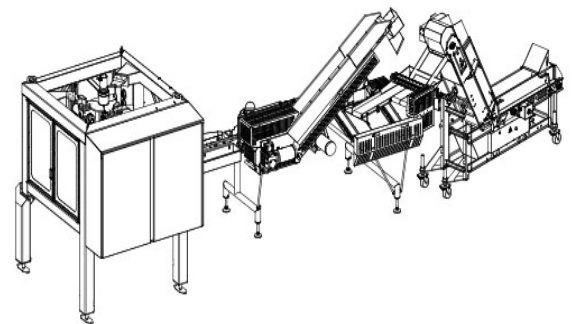




Launcher Style Autoloader

Load up to 600 pieces per minute into packaging pockets with robotic placement. Our newest entry-level machine.

- Reduce Human Contact - Sanitary conditions improve exponentially
- Stainless-steel robot. No painted parts to chip.
- Custom designed End-of-Arm Robotic Tool
- Most operator adjustments can be made without tools
- Optimal sanitary design - designed to withstand rigorous cleaning
- Proven launcher belt design with easy belt tension adjustment
- Industrial Internet of Things (IIOT) Optional



Robot tracks with moving infeed and positions over product.



Robot uses vacuum to pick product pieces at once and moves toward the pocket.



As the robot moves toward the pocket, the end effector groups and separates the product pieces prior to placing them in the pocket.

DRAKE LAUNCHER STYLE AUTOLOADER

MODEL LS-640-DR

Drake's Model LS-640-DR autoloader features an easy to operate robotic system to place product into packaging.

The Model LS-640-DR is exceptionally durable. The stainless steel frame is able to withstand the severe sanitation procedures used in RTE environments.

The high-speed delta robot has a 6kg (13lb) payload. The robot is custom built to meet the rigorous cleaning and performance demands of the food industry. It features stainless steel construction, so there is no chipped paint to contaminate your food product.

The unit offers the hygienic design benefits of Drake's other launcher style loaders in a compact design ideal for mid-sized packaging lines.

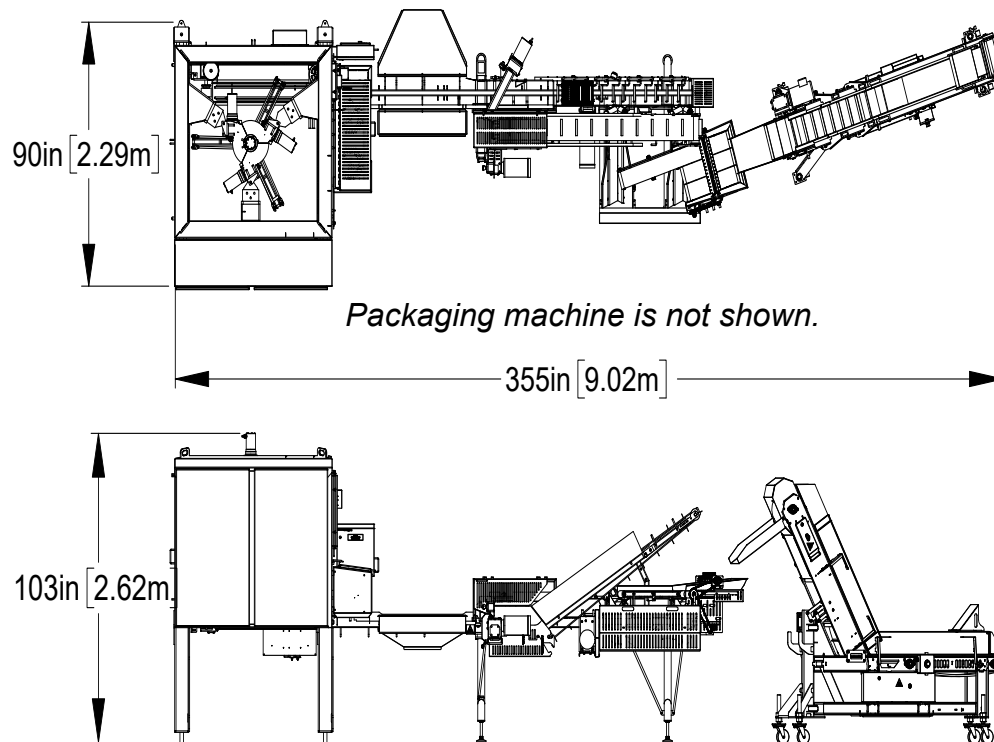
The LS-640-DR loads up to 600 pieces per minute and can handle a variety of products up to 200mm (8 inches) in length, making it ideal for packaging lines operating at 1 to 1.5 tons per hour capacity.

Drake's LS-640-DR is designed to load both bulk and retail packages. Multiple count and multiple layers are easily and quickly changed from one package size to another.

All Drake autoloaders feature touch screen controls, allowing for easy addition of new recipes and rapid adjustment to various areas of the loader.

Technological advances in communication and networking capabilities make the expertise of Drake personnel available to you as needed with the installation of an optional Ethernet communication module and VPN access.

All Drake loaders are proudly made in the USA.



Drake Model LS-640-DR Loader Utility Specifications

Voltage	Water (Optional)	Compressed Air
230, 380, or 460 VAC 50 or 60 Hz	5 LPS (8 GPM)	100 LPM (5 SCFM)